

气动卫生级蝶阀

型号: WD62(6, 8, 7)1X
 口径: DN20~150mm
 压力: 0.6、1.0、1.6MPa;
 尺寸标准: 国标、ISO
 连接方式: 焊接式、对夹式、卡箍式、螺纹式
 阀体材质: 不锈钢(304、304L、316、316L)
 阀座材料: 橡胶(X)、氟橡胶(F)
 作用方式: 双作用、单作用(弹簧复位)
 控制方式: 开关型、调节型
 附件选择: 电磁阀、定位器、限位开关
 气源处理三联件

Pneumatic Sanitary Butterfly Valve
 Model: WD62(6,8,7) 1X
 Bore: DN20~150mm
 Pressure: 0.6, 1.0, 1.6MPa
 Dimension Standard: Chinese Standard, ISO
 Type of connection: Welding Type, Wafer Type, Hoop Type, Screw Thread Type
 Body Material: Stainless Steel(304, 304L, 316, 316L)
 Seat Material: Rubber(X), Viton(F)
 Mode of Action: Double-acting, Single-acting(Spring Return)
 Mode of Control: Switch Type, Adjust Type
 Annex Choice: Solenoid Valve, Locator, Limit Switch, F.R.L. Combination Unit, Manual Organization



VHV

中国威鸿自控
 CHINA VIHUNG AUTOMATIC

气动卫生级蝶阀
 WD62H(6、8、7)1X-PN10
 Pneumatic Sanitary Butterfly Valve



WD621X
 外螺纹连接
 Outside Thread Connection



WD661X
 对焊连接
 Welding Connection



WD681X
 卡箍连接
 Hoop Connection



WD676X
 三片式焊接
 3PC welding

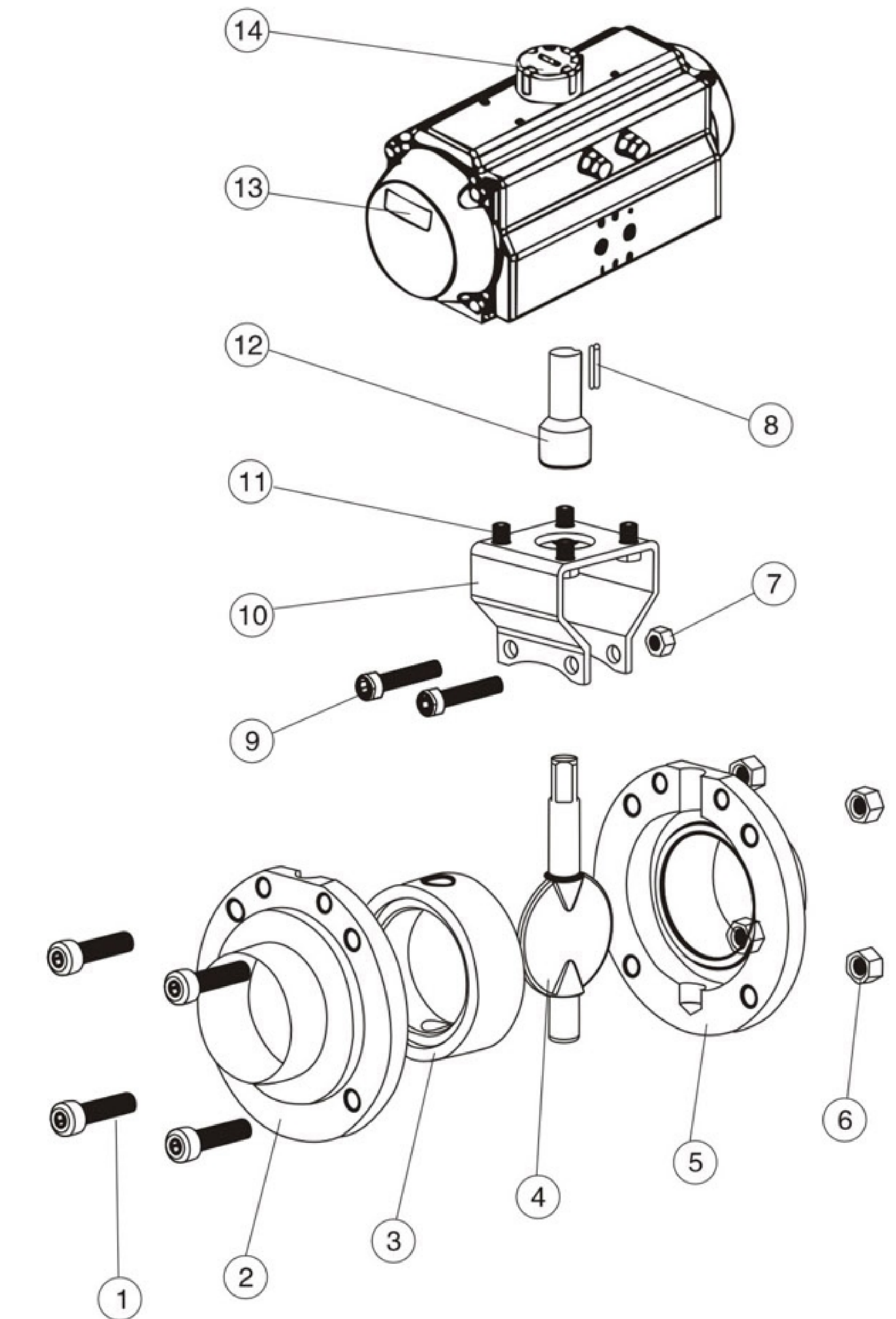
技术规范 Technique norm

设计依据 Design Basis	GB标准 Standard
设计标准 Design standard	GB/T2238-1989
试验和检验 Test & inspection	JB/T9092

※注: 蝶阀结构长度及连接法兰尺寸可根据用户要求设计制造。
 Note: The structural length and connecting flange size of ball valve series can be designed and manufactured as per users' requirements.

主要零件材质表 Form of Main Parts Materials

序号 No.	零件名称 Name of parts	材质 Material
1	螺栓 Screw	不锈钢304 Stainless Steel 304
2	左阀体 Left Valve	不锈钢304、304L、316、316L Stainless Steel 304、304L、316、316L
3	阀座 Seat	食品级橡胶 Food grade rubber
4	蝶板 Butterfly Plate	不锈钢304、304L、316、316L Stainless Steel 304、304L、316、316L
5	右阀体 Right Valve	不锈钢304、304L、316、316L Stainless Steel 304、304L、316、316L
6	螺母 Nut	不锈钢304 Stainless Steel 304
7	螺母 Nut	不锈钢304 Stainless Steel 304
8	键 Key	不锈钢304 Stainless Steel 304
9	螺栓 Screw	不锈钢304 Stainless Steel 304
10	连接支架 Connecting Yoke	不锈钢304 Stainless Steel 304
11	螺栓 Screw	不锈钢304 Stainless Steel 304
12	连接套 Connection set	不锈钢304 Stainless Steel 304
13	气动装置 Pneumatic Device	GT系列、AT系列 GT Series, AT Series
14	位置指示器 Location Indicator	塑料Plastic



※注: 蝶阀主要零部件及密封圈的材质可根据实际工况条件或用户特殊要求设计选用。
 Note: The Materials for main parts and ball seats of the butterfly valve series can be designed and optioned as per the actual working conditions and users' special requirements.



www.vihungvalve.com

www.vihung.com